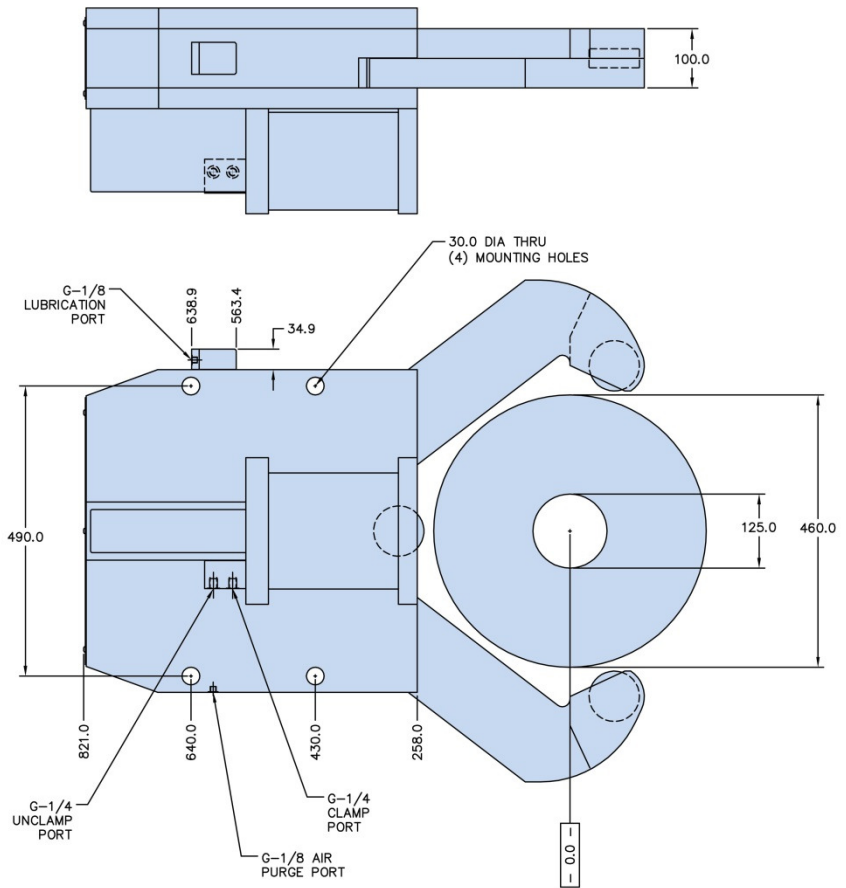
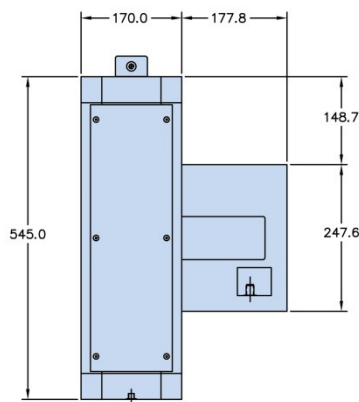
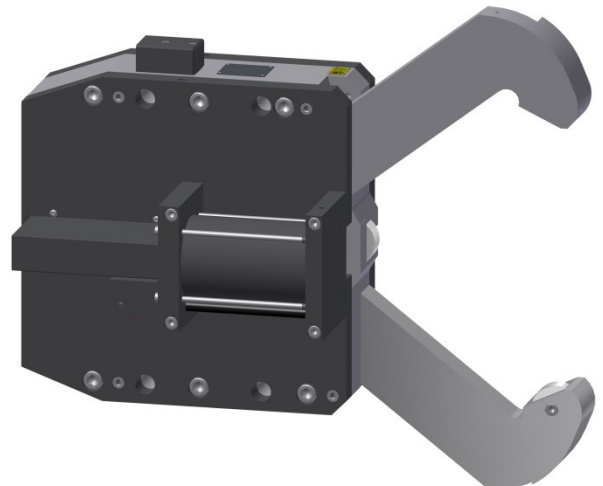


**\*\* Model A-460 can be ordered with LH or RH Side Mount Cylinder**



|                       |                 |                                    |
|-----------------------|-----------------|------------------------------------|
| Maximum Clamp Size    | mm              | 460                                |
| Minimum Clamp Size    | mm              | 125                                |
| Max Workpiece Speed   | Meters per Min  | 335                                |
| Max Lifting Capacity  | kg              | 1,180                              |
| Piston Area           | cm <sup>2</sup> | 150                                |
| Cylinder Stroke       | mm              | 187                                |
| Operating Pressure    | bar             | 10 - 35                            |
| Maximum Pressure      | bar             | 35                                 |
| Air Purge Pressure    | bar             | 0.3 - 0.5                          |
| Lubrication Frequency |                 | Working Cycle (or every 6 minutes) |
| Repeatability         | mm              | ±0.010                             |
| Centering Accuracy    | mm              | ±0.060                             |
| Mass                  | Kg              | 476                                |



**Included Features:**

- \* Hydraulic Operation
- \* Integrated Pilot Operated Safety Check Valve
- \* Side Mount Cylinder
- \* Oil Lubrication
- \* Air Purge

**Options:**

- \* Manual Grease Lubrication
- \* Rear Mount Cylinder